

SPECIFICATIONS:
VOLTAGE-12:24
WEIGHT-APPROX. 3 LBS.
CURRENT STALL-16 1/2 AMP- NO LOAD-1 AMP
STAFF TORQUE-95 IN. LBS.
SPEED-60 RPM-NO LOAD
FOR 12 VOLT MOTORS USE 4 AMP FUSE
FOR 24 VOLT USE 3.5 AMP FUSE

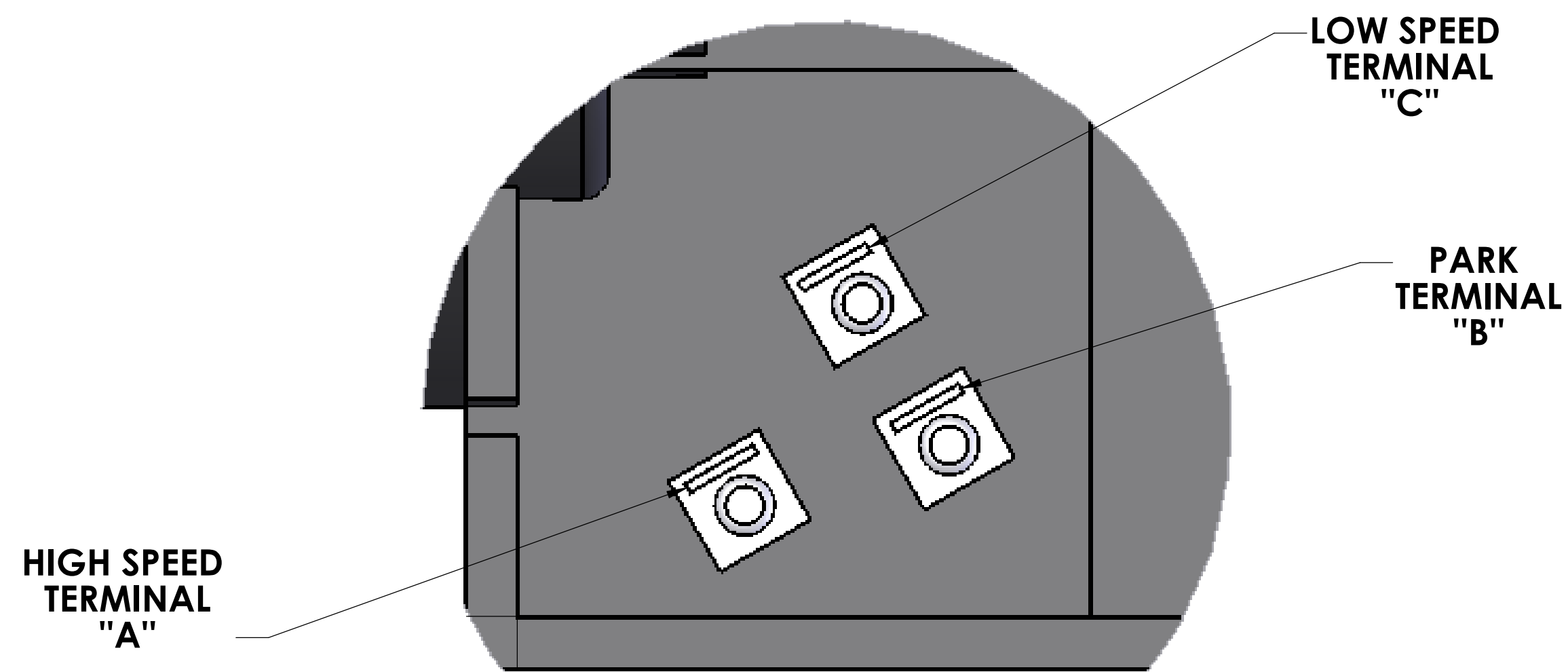
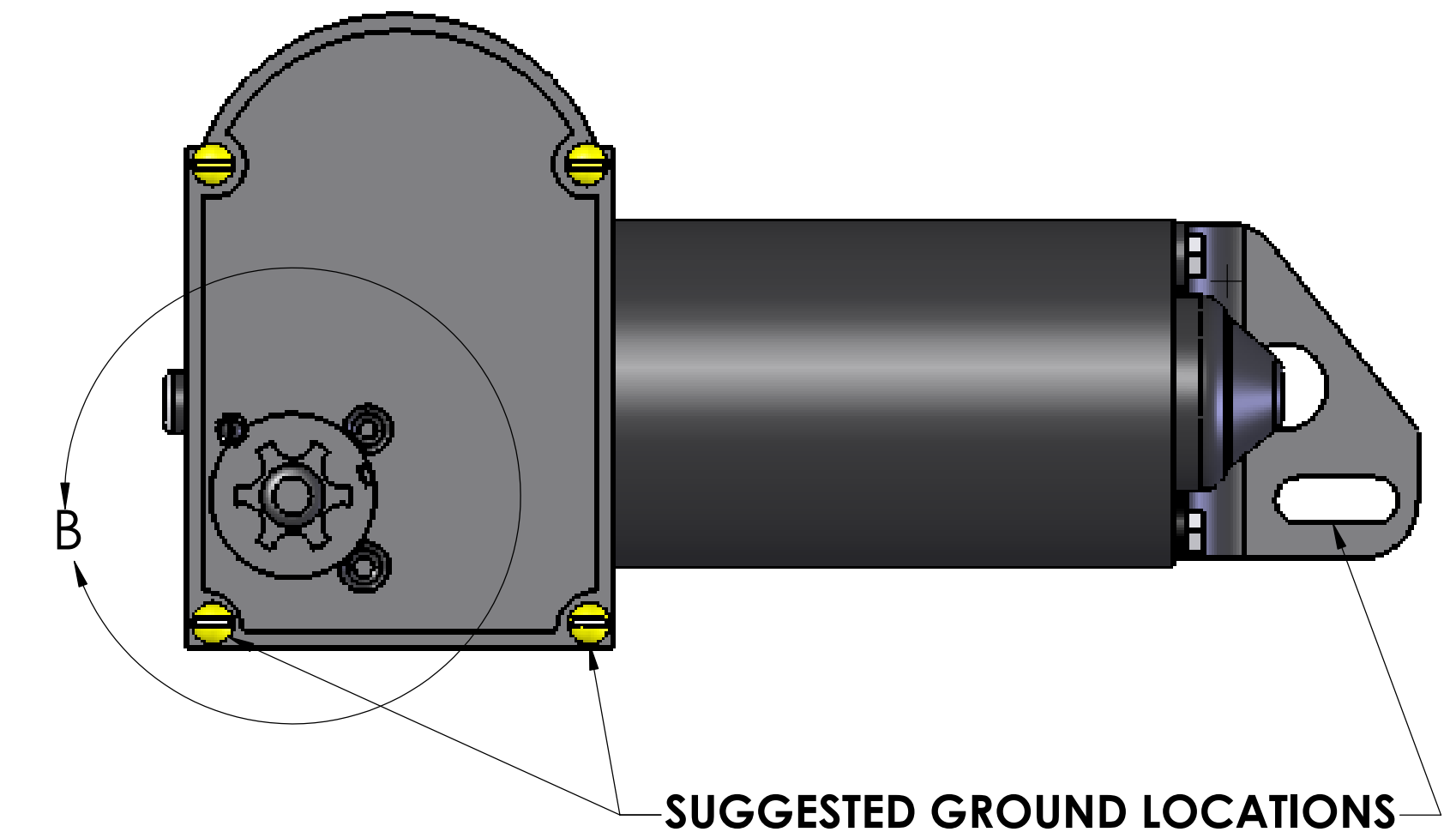
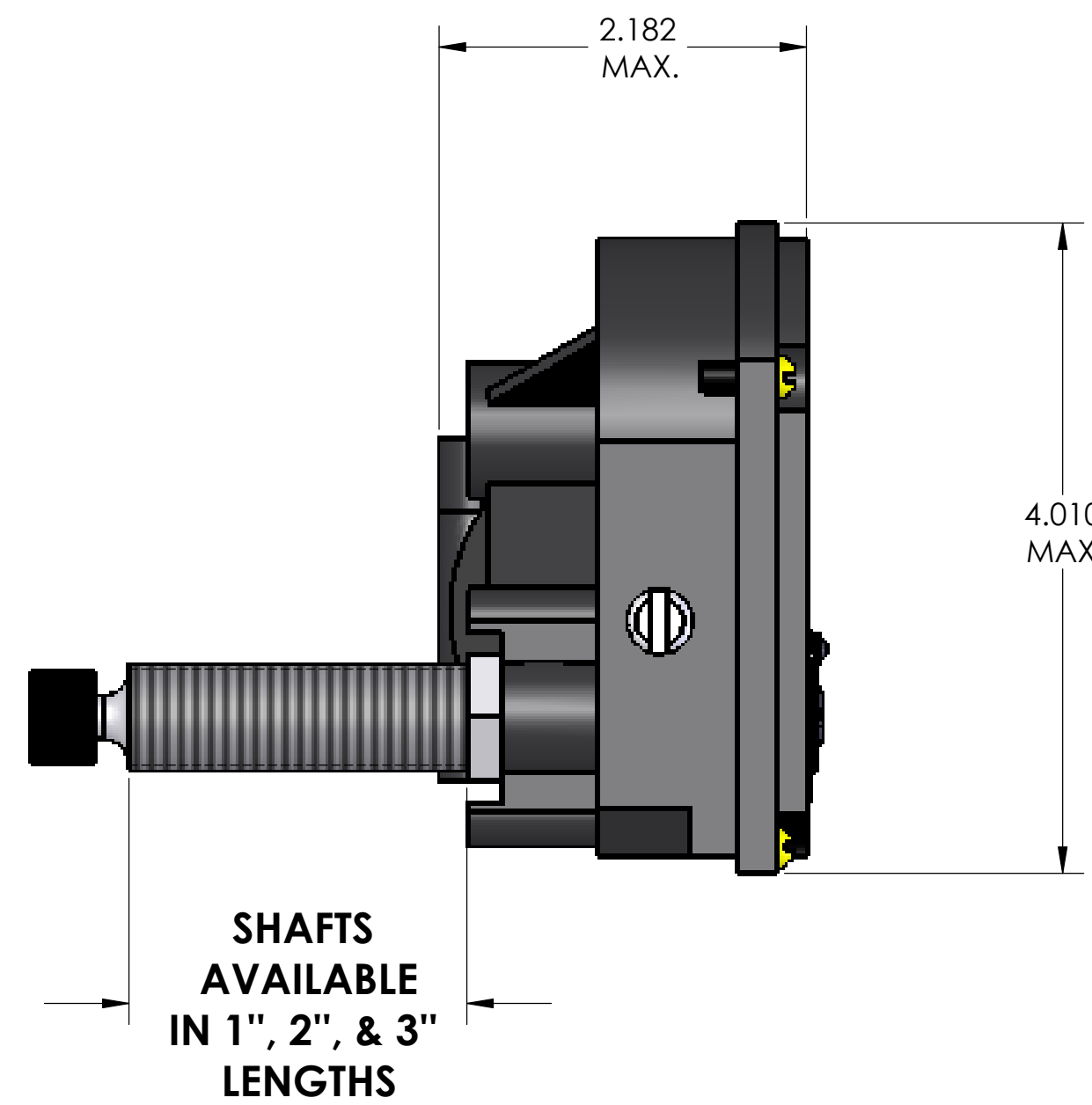
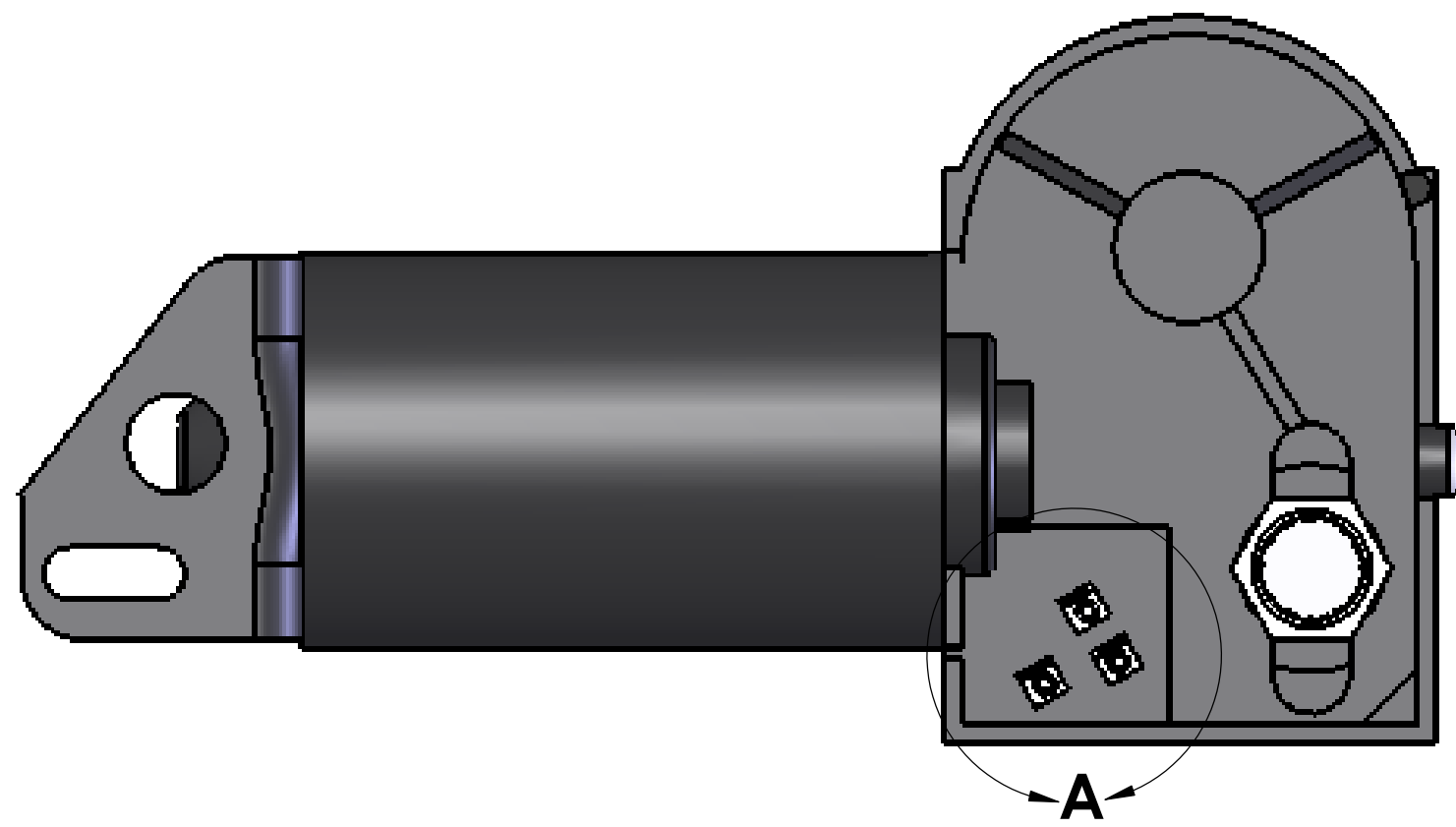
NUMBER CODING SYSTEM
EXAMPLE WWF 12C1-730

WWF 12 C 1 - 7 20

VOLTAGE
 EDITION
 DESCRIPTION OF MOTOR
 1=1 SPEED, PAINTED TOUCH & GO PARK
 15=1 SPEED, PAINTED, AUTO, PARK (CW)
 16=1 SPEED, PAINTED, AUTO, PARK (CCW)
 17=2 SPEED, PAINTED, AUTO, PARK (CW)
 18=2 SPEED, PAINTED, AUTO, PARK (CCW)
 19=PAINTED, TOUCH & GO PARK, INTEGRAL SWITCH

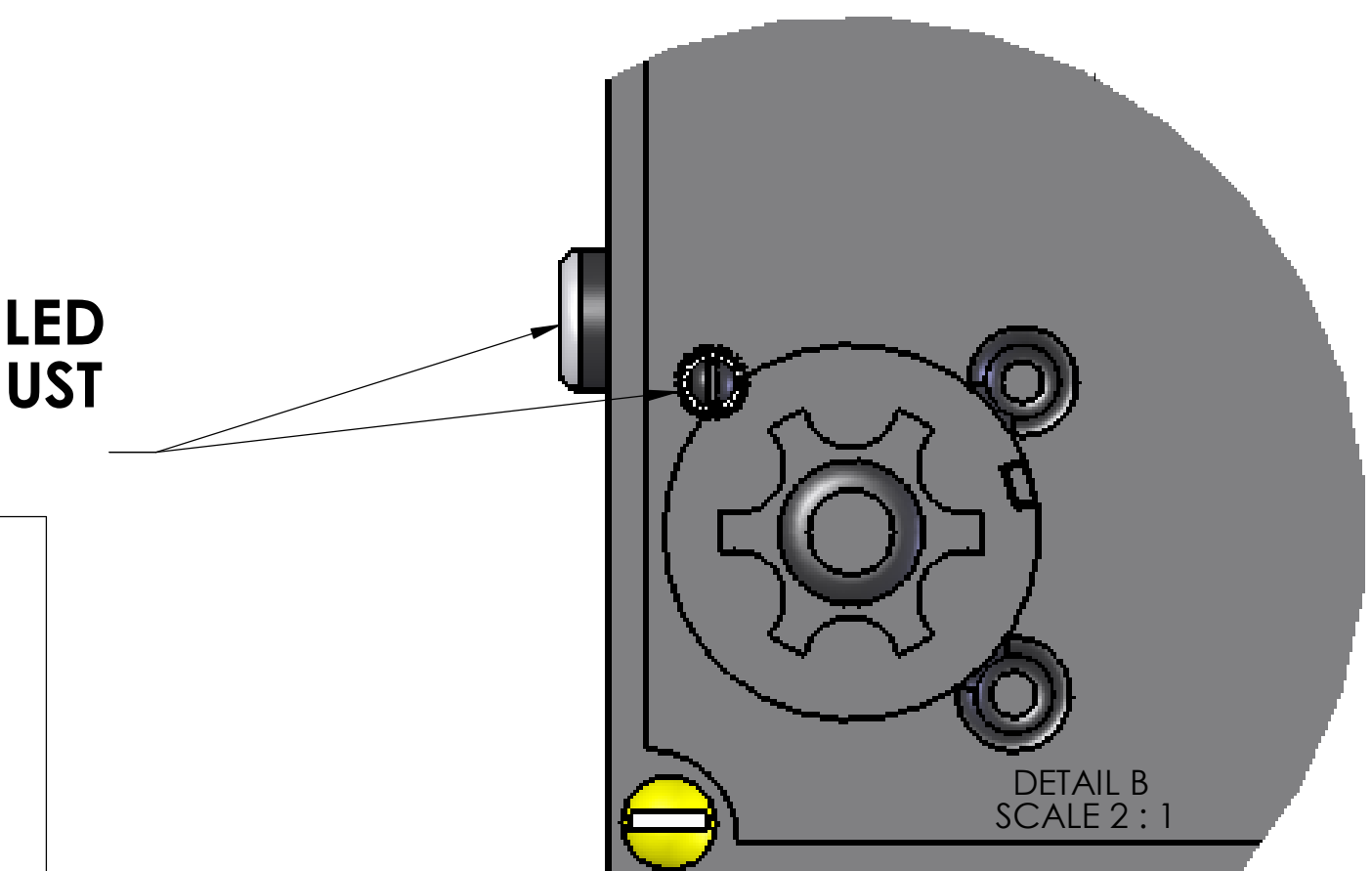
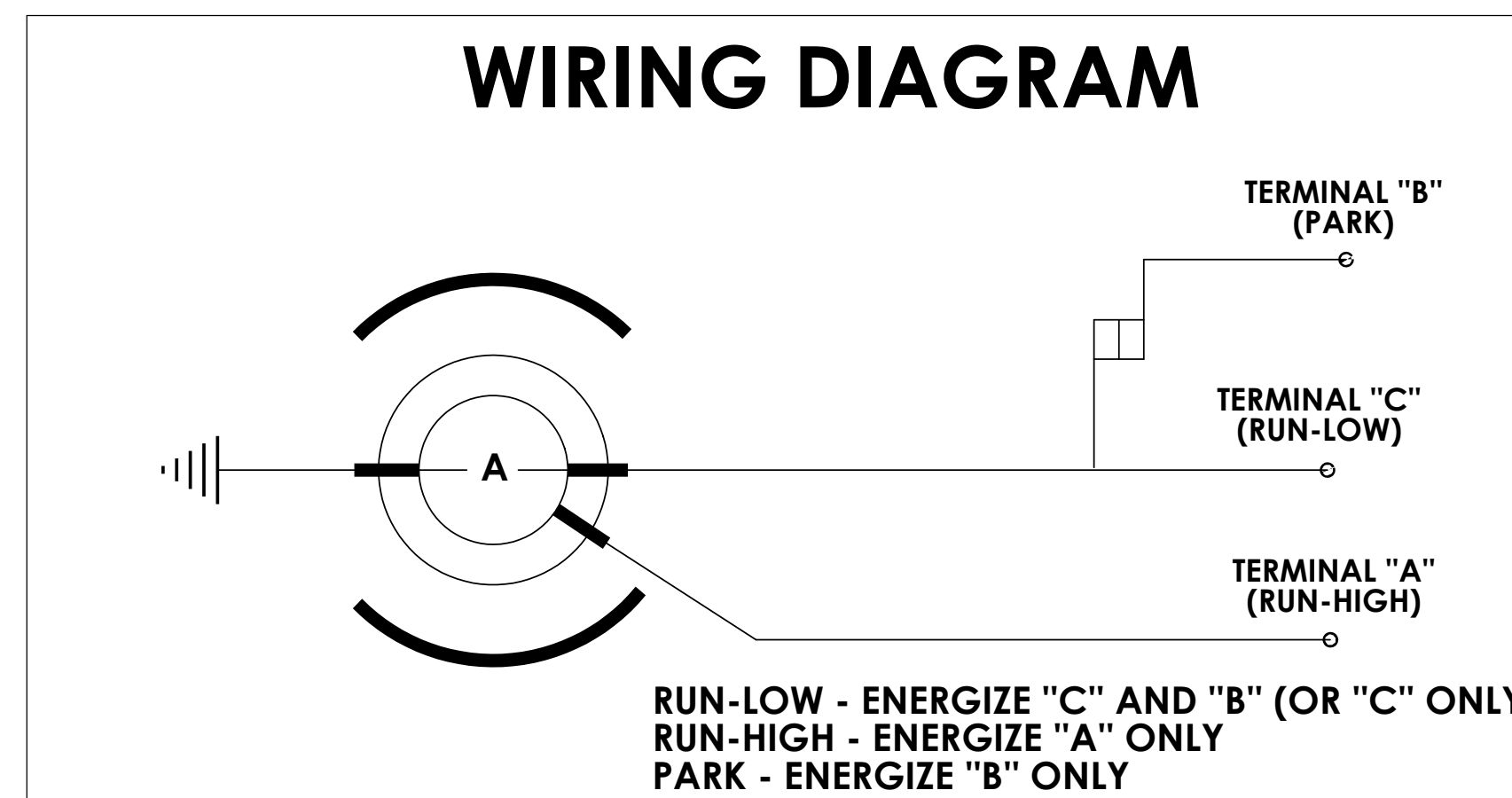
STUD LENGTH
 10=1"
 20=2"
 30=3"

WIPE ANGLE
 2=85 DEG.
 5=100 DEG.
 7=110 DEG.
 9=120 DEG.
 10=65 DEG.



DETAIL A
SCALE 4 : 1

SCREWS ARE PRE-SET WHEN ASSEMBLED
ADJUSTING OR ATTEMPTING TO ADJUST
WILL VOID ALL WARRANTIES



PROPRIETARY AND CONFIDENTIAL
 THE INFORMATION CONTAINED IN THIS DRAWING IS THE SOLE PROPERTY OF WIPER TECHNOLOGIES. ANY REPRODUCTION IN PART OR AS A WHOLE WITHOUT THE WRITTEN PERMISSION OF WIPER TECHNOLOGIES IS PROHIBITED.

UNLESS OTHERWISE SPECIFIED:		NAME	DATE
DIMENSIONS ARE IN INCHES	TOLERANCES:	S.M.	5/04
FRACTIONAL ±	ANGULAR ±	CHECKED	M.E.W.
DECIMAL ±	ROUND ±	ENG APPR.	
		MFG APPR.	
		Q.A.	
		COMMENTS:	
NEXT ASSY	USED ON		
APPLICATION			

WIPER TECHNOLOGIES

TITLE:
WWF 12C17/18 SERIES

SIZE DWG. NO. REV
D WWF12C17-18

SCALE: 1:1 WEIGHT: SHEET 1 OF 1